

COSMO 3000P

3000FT WIRELESS HDMI/SDI TRANSMISSION SYSTEM

USER MANUAL

Version1.0

PACKING LIST



- ① Receiver x 1
- ② USB cable x 1
- ③ User manual x 1
- ④ DC conversion cable x 1
- ⑤ Tripod mount adapter x 1

• Please subject to actual shipment as the standard if any difference in accessories.

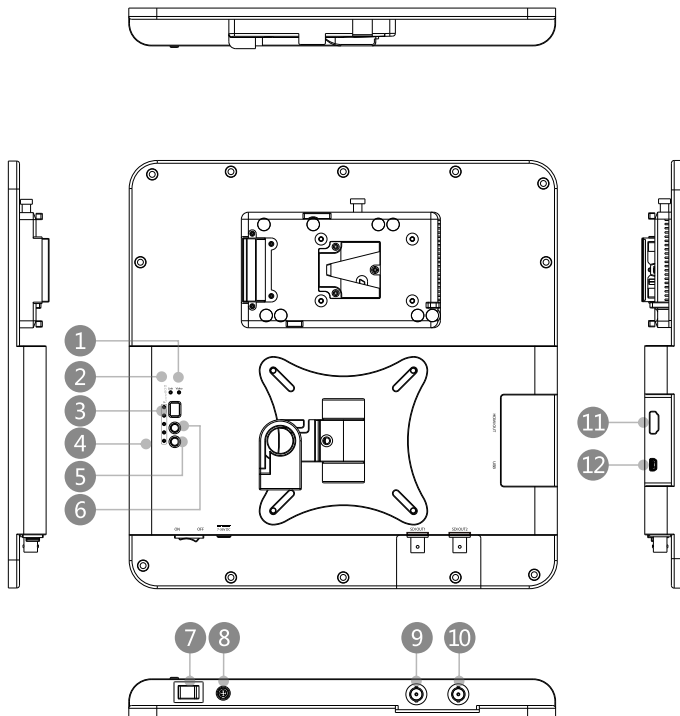
| Receiver | |
|-----------------------------|--|
| Interface | SD1 output(BNC female) SD2 output(BNC female) HDMI output(Type A female) DC input Mini USB port |
| Supply Voltage Range | 7~36V DC |
| Power Consumption | <7.5W |
| Weight | 2500g |
| Size | (LxWxH):305x305x110mm |
| Input Video Format | / |
| Output Video Format | HDMI:480p60,576p50,720p50/59.94/60, 1080i50/59.94/60, 1080p23.98/24/25/29.97/30/50/59.94/60; HDMI Type A; SDI: 3G, HD, and SD—SDI (auto-selected); SMPTE—239/271/292/296/372/424/425; 2x BNC output; |
| Input Audio | / |
| Output Audio | SDI embedded 2 channel 24 bit/48kHz |
| Signal Indicator | Link: Green Video: Yellow RSSI—Blue(5 LEDs) |
| Frequency Band | 5.1~5.9GHz configurable with China, North American, Europe, etc |
| Modulation Mode | OFDM—16QAM |
| Transmission Power | / |
| Receiver Sensitivity | -75dBm |
| Occupied Bandwidth | 40MHz |

INTRODUCTION

This product is the receiver of the wireless HD video transmission system. It is used with the transmitter of the company. The wireless HD video transmission system utilize today's most advanced wireless communication technology, which can realize the broadcast-class and uncompressed 3G SDI or HDMI 1080P60 HD video signal transmission. It works in 5.1Ghz-5.9Ghz frequency band and support 10 communication frequency channels.



PRODUCT INTRODUCTION



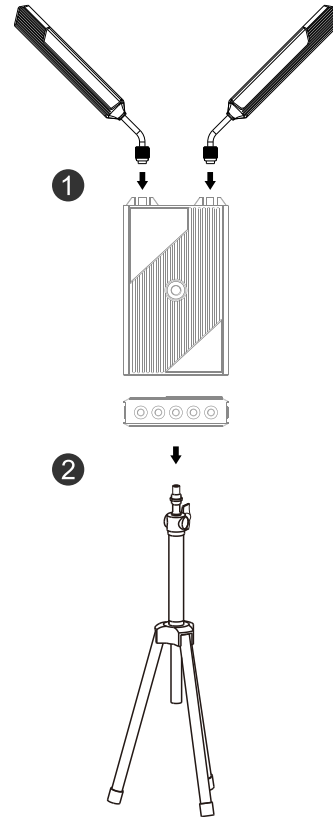
Receiver

- 1 Video indicator
- 2 Link indicator
- 3 OLED screen
- 4 RSSI
- 5 FM and confirmation button
- 6 FM selection button
- 7 Power switch
- 8 DC power input (7-36V)
- 9 SDI output 1
- 10 SDI output 2
- 11 HDMI output
- 12 Mini USB

■ Installation details and cautions

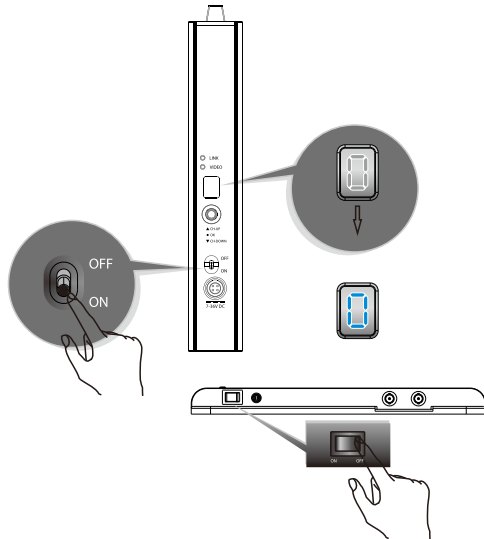
Install the antennas of transmitter as picture

Stabilize transmitter and receiver

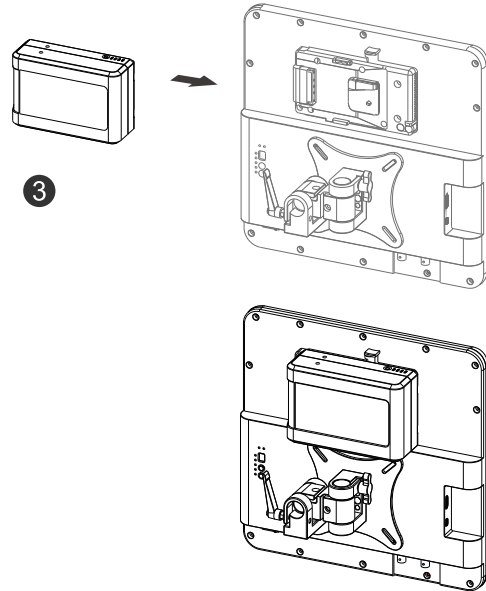


■ Installation details and cautions

Install battery or connect power supply



4

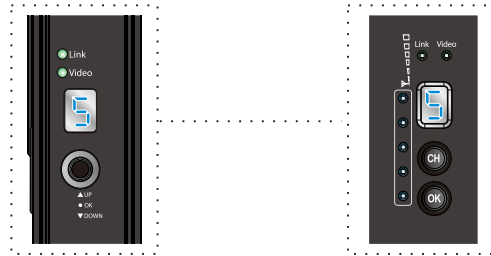


Turn on the switch

■ Installation details and cautions

Set transmitter and receiver as same channel

5



Set up connection

6

Before connection



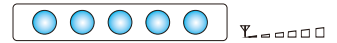
After connection



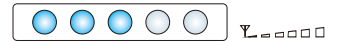
■ Installation details and cautions

RSSI indicators

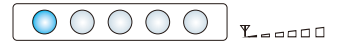
Strong



Middle



Weak



1 No output on display

- a) Check TX and RX power first, if power supply through battery or external power source, please make sure the battery or external power source works normally;
- b) Check if TX antenna and RX antenna installed right and steady;
- c) After that, check 'Video' indicator, if TX 'Video' indicator is not light, then check SDI or HDMI cable is plugged in and video source is ready please;
- d) Finally check input video format is compatible with this product specs.

2 Poor output video quality

- a) Check if SDI or HDMI input or output cable is plugged well;
- b) Make sure the transmitter and receiver are placed at least 1.5 meters above the ground;
- c) Please check the wireless signal strength indicator "RSSI" status. There should be 2-3 RSSI LED lit if the user want to get better video quality; if there is only 1 RSSI LED or no LED light, that means the received wireless signal is weak, and should decrease the transmission distance or try to change to other frequency channels in case some exist interference.

FCC STATEMENT

1, This device complies with Part 15 of the FCC Rules. Operation is subject to the following two conditions:

(1) This device may not cause harmful interference.

(2) This device must accept any interference received, including interference that may cause undesired operation.

2, Changes or modifications not expressly approved by the party responsible for compliance could void the user's authority to operate the equipment.

■ NOTE

This equipment has been tested and found to comply with the limits for a Class B digital device, pursuant to Part 15 of the FCC Rules. These limits are designed to provide reasonable protection against harmful interference in a residential installation.

This equipment generates uses and can radiate radio frequency energy and, if not installed and used in accordance with the instructions, may cause harmful interference to radio communications. However, there is no guarantee that interference will not occur in a particular installation. If this equipment does cause harmful interference to radio or television reception, which can be determined by turning the equipment off and on, the user is encouraged to try to correct the interference by one or more of the following measures:

Reorient or relocate the receiving antenna

Increase the separation between the equipment and receiver

Connect the equipment into an outlet on a circuit different from that to which the receiver is connected.

Consult the dealer or an experienced radio/TV technician for help.

■ RF WARNING STATEMENT

The device has been evaluated to meet general RF exposure requirement. The device can be used in portable exposure condition without restriction.

FOLLOW US

 HollylandTech  HollylandTech



SHENZHEN HOLLYLAND TECHNOLOGY CO.,LTD

6-7th Floor, 3th Building, 2th South District, Honghualing Industry Park,
Xili Town, Nanshan, Shenzhen, P.R China



www.hollyland-tech.com

86-755-8600-0682

86-755-8614-6192