

MARS 300 PRO

DUAL HDMI 300FT WIRELESS VIDEO TRANSMISSION SYSTEM

C O M E B A C K & R E B O R N



300FT
TRANSMISSION RANGE



0.1S
MINIMUM LATENCY



REAL-TIME
APP MONITORING



X2

HDMI IN &
LOOPOUT



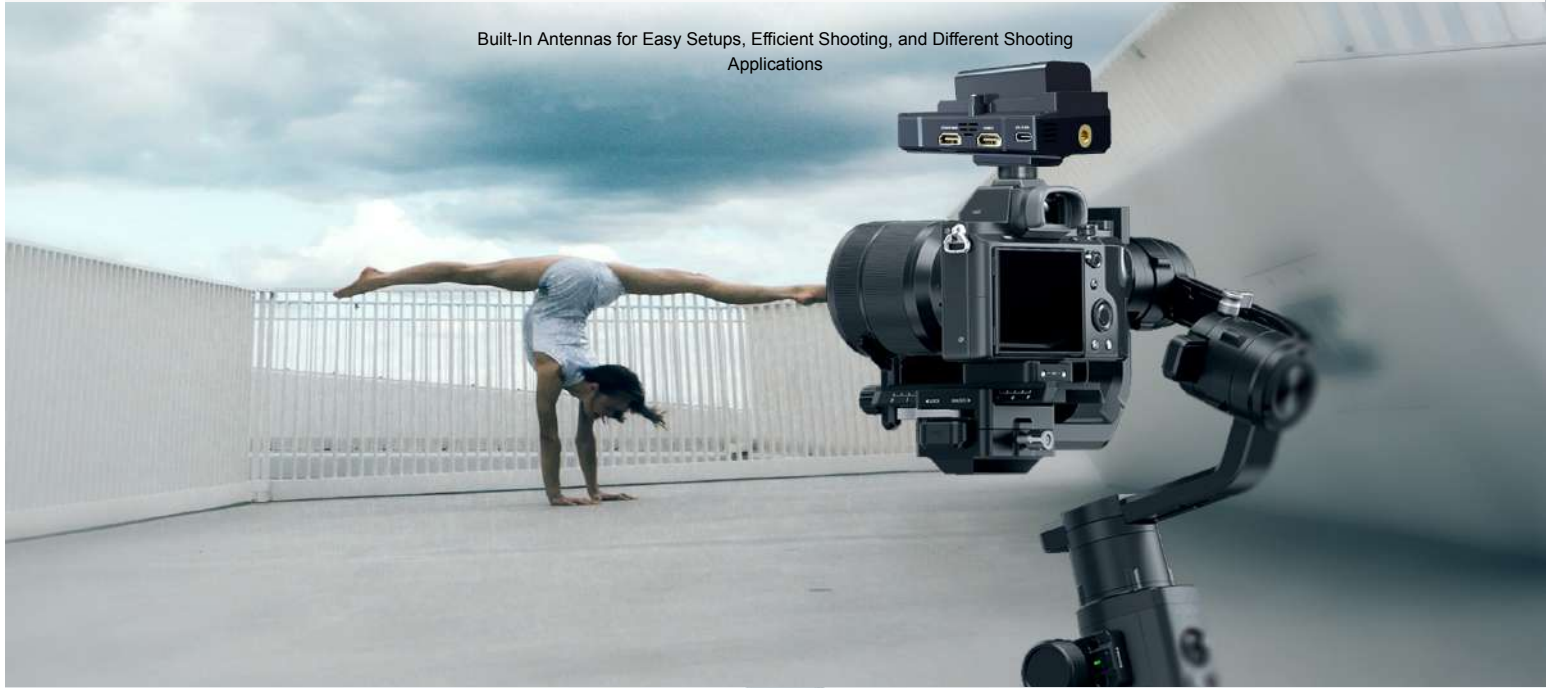
THUMBWHEEL
SWITCH MENU



OLED

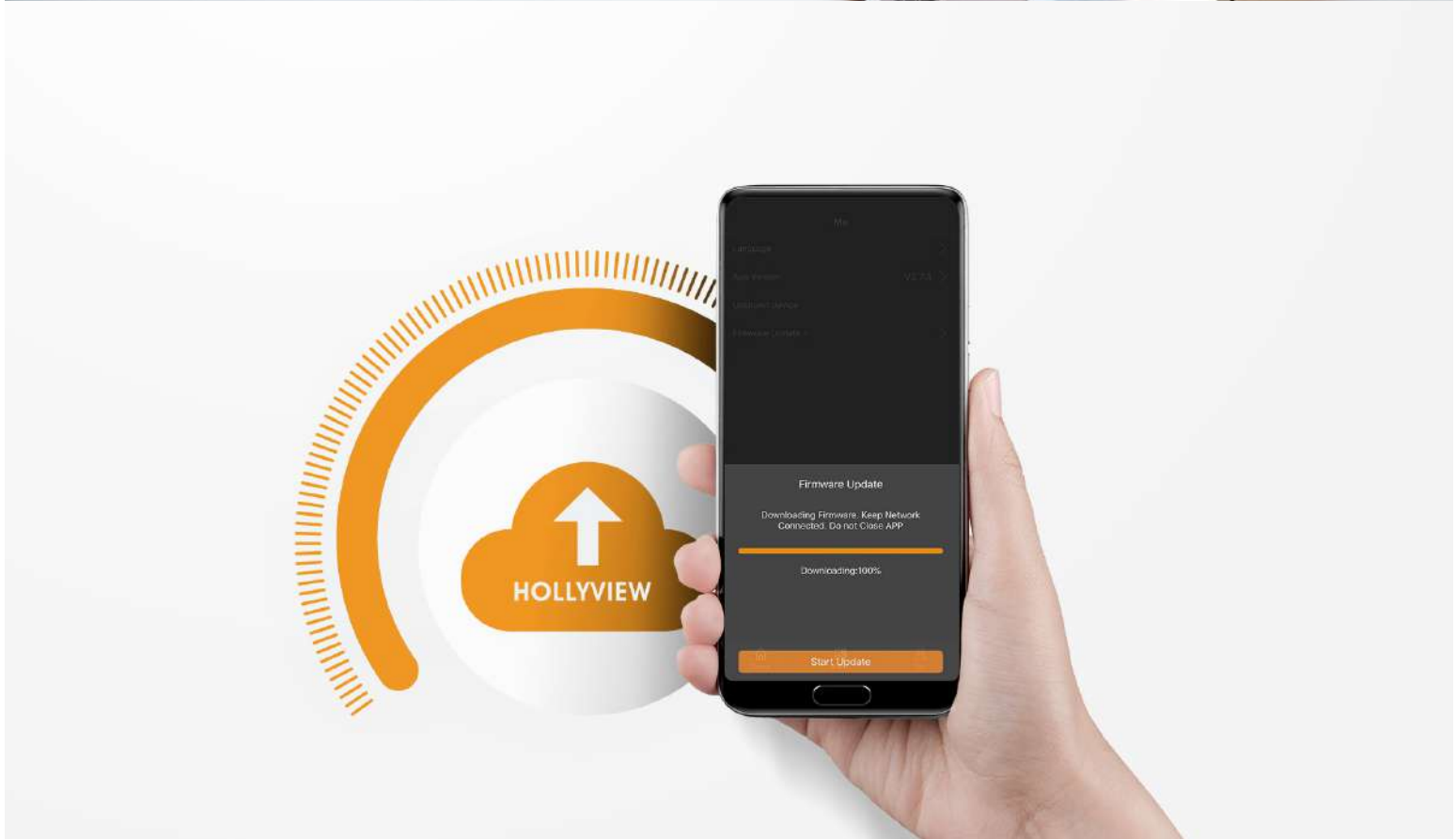
SIDE OLED

Built-In Antennas for Easy Setups, Efficient Shooting, and Different Shooting Applications









STANDARD

Built-In Antennas on Both TX&RX
for Convenient Packing and Installation



ENHANCED

External Antennas and Anti-Collision
Design on TX for Complex Shooting Environments



SINGLE TRANSMITTER

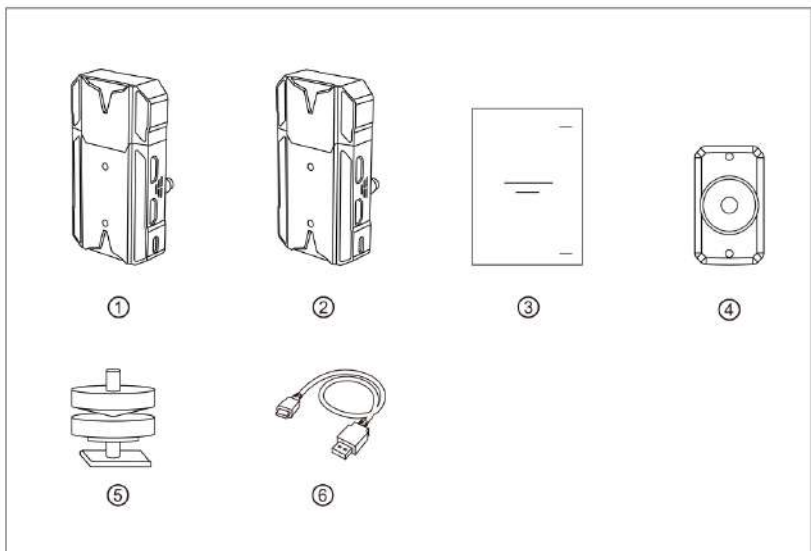
Logout HDMI Caters the Need for
On-Camera External Monitoring



PACKING LIST

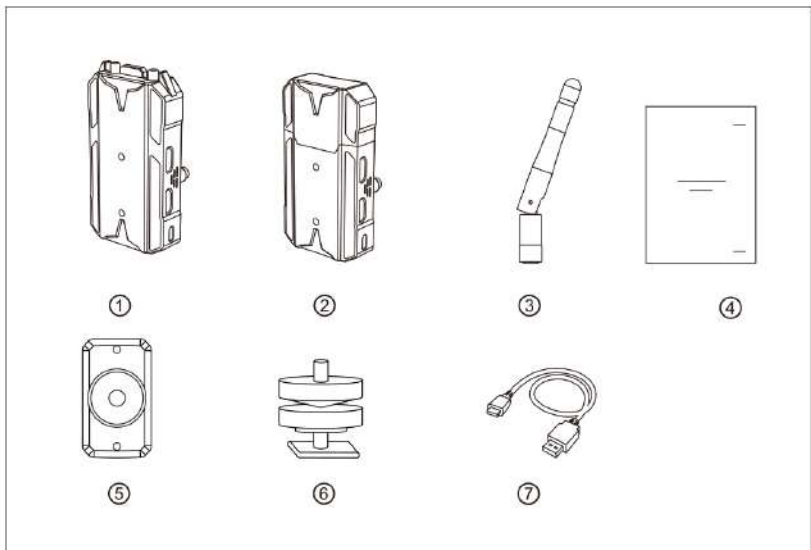
MARS 300 PRO

Buy now

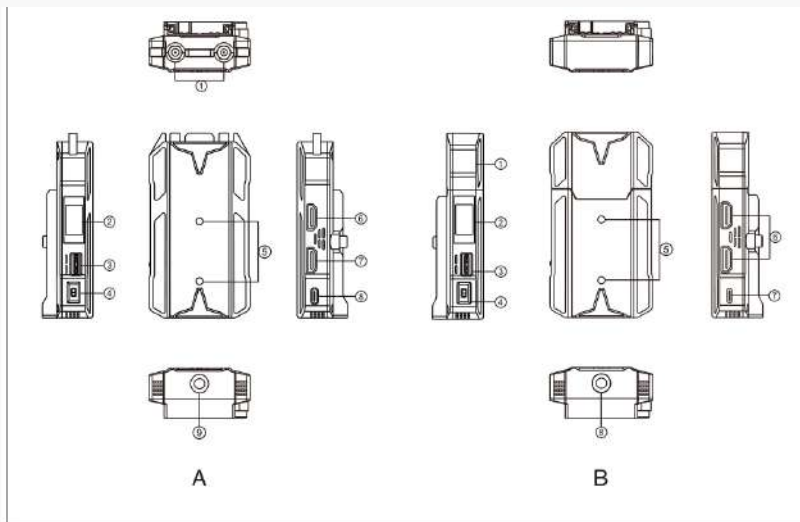


- | | | | |
|---------------|----|-----------------------------------|----|
| ① Transmitter | x1 | ④ Expansion Accessory | x1 |
| ② Receiver | x1 | ⑤ Cold Shoe | x1 |
| ③ User Guide | x1 | ⑥ USB Type-A to Type-C data cable | x1 |

ENHANCED



- | | | | |
|---------------|----|-----------------------------------|----|
| ① Transmitter | x1 | ⑤ Expansion Accessory | x1 |
| ② Receiver | x1 | ⑥ Cold Shoe | x1 |
| ③ Antennas | x3 | ⑦ USB Type-A to Type-C data cable | x1 |
| ④ User Guide | x1 | | |



A TRANSMITTER

- ① Antenna Interface
- ② OLED Screen
- ③ Wheel Button
- ④ Power Switch
- ⑤ Mounting Hole of the Expansion Accessory
- ⑥ HDMI Loopout
- ⑦ HDMI Input
- ⑧ USB Type-C Interface
- ⑨ 1/4 Screw Hole

B RECEIVER

- ① Built-in Antenna
- ② OLED Screen
- ③ Wheel Button
- ④ Power Switch
- ⑤ Mounting Hole of the Expansion Accessory
- ⑥ HDMI Out
- ⑦ USB Type-C Interface
- ⑧ 1/4 Screw Hole

PARAMETERS

MARS 300 PRO

Buy now

Interface	HDMI Input (Type A Female) HDMI Loopout (Type A Female) 2 Antenna Interfaces (RP-SMA Male) ^① USB Type-C	HDMI Output (Type A Female) USB Type-C
Supply Interface	USB Type-C Supply: 5V/2A Battery Supply: 5-12V DC	USB Type-C Supply: 5V/2A Battery Supply: 5-12V DC
Power Consumption	<11W	<4W
Weight	138g ^②	128.5g
Deminsion	(L*W*H) : 110*61*21mm ^③ The battery plate excluded	(L*W*H) : 110*62*21mm The battery plate excluded
Input / Output Video Format	HDMI: 480p60 576p50 720p50/59.94/60 1080i50/59.94/60 1080p23.98/24/25/29.9/30 1080p50/59.94/60	HDMI: 480p60 576p50 720p50/60 1080i50/60 1080p24/25/30 1080p 50/60
Frequency	5GHz	5GHz
Modulation Mode	OFDM	OFDM
Transmission Power	Maximum 21dBm	/
Receiver Sensitivity	/	-80dBm
Lowest Transmission Latency	0.1s	0.1s
Bandwidth	20MHz	20MHz

- MARS 300 PRO's enhanced transmitter has the external antennas.
- MARS 300 PRO's enhanced transmitter weighs 172.5g.
- MARS 300 PRO's enhanced transmitter dimension is L*W*H: 106*61*21.8mm(The battery plate excluded).

About Us

Company Profile
Development History
Business Partner

Product Categories

Professional
Consumer
Accessories

Support

FAQ
Download

Explore

Exhibition
Hollyland Reviews

Where to buy

E-Commerce
Asia Pacific
Europe
North America
South America

Contact us

Leave a Message

Sign up for news& offers

Email address

Submit

