

MARS 400S

hollyland-tech.com/products/detail-23.html



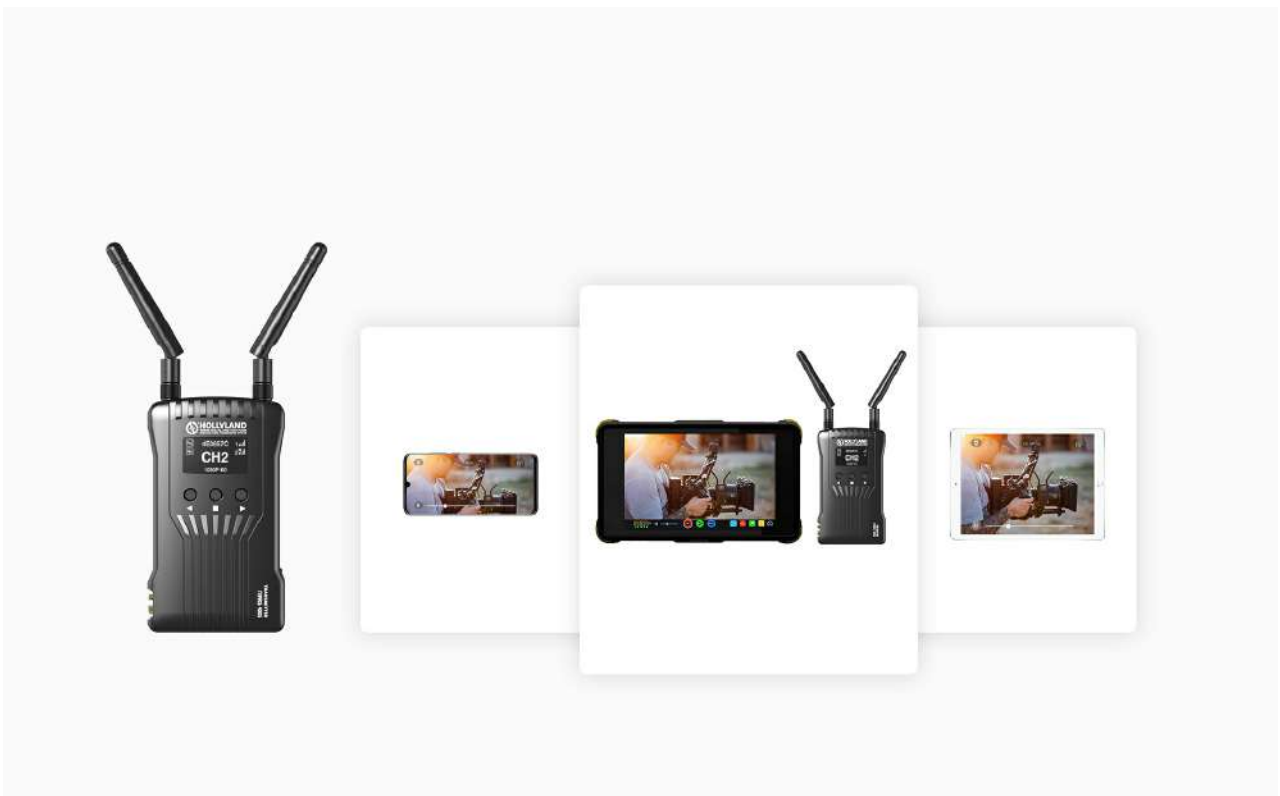
OLED Display Screen

Check out all device status and control the system with displayed information on the screen.



iQS & Android APP Monitoring

Support up to 4 APP connections while the transmitter is connected to 1 or none receivers.



Channel Scan

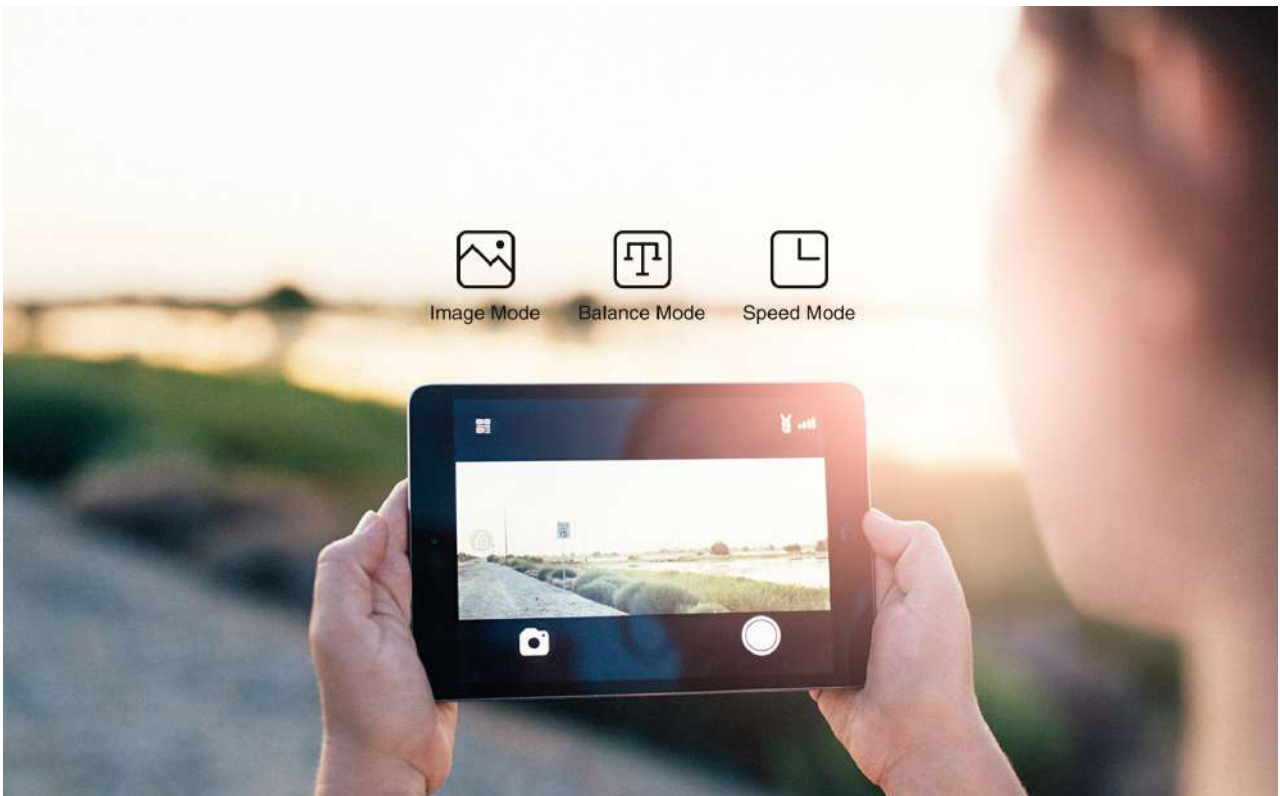
Scan current environment on the receiver to find out available channels and avoid the

channels with interference.



Three Application Scene Modes

Prioritize your video shooting over video quality, or low latency, or the balance between the both when there is interference.



HDMI+SDI Interfaces

Provide HDMI and SDI devices connection options.



Low-Battery Warning Indicator

Keep you informed 30 minutes in advance before the battery dies.



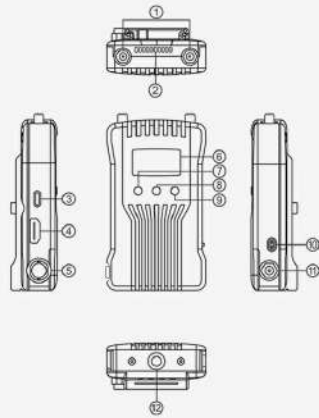
Industrial Metal Case

Equipped with stable, reliable and durable metal case that avoids light external damages

and easily cools the system down.

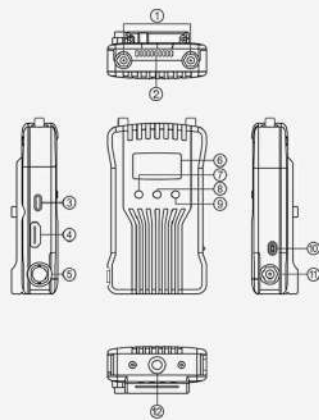


Interfaces



Transmitter

- ① Antenna Interface (RP-SMA Male)
- ② Fan Air Outlet
- ③ USB Type-C Interface
- ④ HDMI Input
- ⑤ SDI Input
- ⑥ OLED Display Screen
- ⑦ Down
- ⑧ Menu/OK
- ⑨ Up
- ⑩ Power Switch
- ⑪ DC Input
- ⑫ 1/4 Screw Hole



Receiver

- ① Antenna Interface (RP-SMA Male)
- ② Fan Air Outlet
- ③ USB Type-C Interface
- ④ HDMI Output
- ⑤ SDI Output
- ⑥ OLED Display Screen
- ⑦ Down
- ⑧ Menu/OK
- ⑨ Up
- ⑩ Power Switch
- ⑪ DC Input
- ⑫ 1/4 Screw Hole

Parameters

	Transmitter	Receiver
Interface	HDMI Input (Type A Female) SDI Input 2 Antenna Interfaces (RP-SMA Male) DC Input, Type-C USB	HDMI Output (Type A Female) SDI Output 2 Antenna Interfaces (RP-SMA Male) DC Input, Type-C USB
Power Consumption	<11W	<6W
Weight	192g	189g
Input / Output Video Format	HDMI: 480p60 576p50 720p50/59.94/60 1080i50/59.94/60 1080p23.98/24/25/29.9/30 1080P50/59.94/60 SDI: 1080P60/59.94/50(Level A) 1080P60/59.94/50(Level B) 1080i60/59.94/50 1080P30/29.97/25/24/23.98 1080Psf25 720P60/59.94/50 1080Psf24/23.98	HDMI: 480P60 576P50 720P50/60 1080i50/60 1080P24/25/30 1080P 50/60 SDI: 1080P60/50(Level A) 1080i60/50 1080P30/25/24 720P60/50 1080i50(1080Psf25/24/23.98 Input) 1080i60(1080Psf30/29.97 Input)
Transmission Power	Maximum 21dBm	/
Receiver Sensitivity	/	-80dBm
Power Supply Range	6-16V DC	
Size	112*65*23.5mm (L*W*H) External antennas and battery plate excluded	
Modulation Mode	OFDM	
Frequency	5GHz	
Transmission Latency	Less than 0.1s	
Bandwidth	20MHz	