

SONY



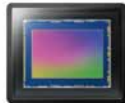
HXR-MC88

Entry-level Full HD professional camcorder suitable for education, corporate and vlogging

Revolutionary imaging performance

Exmor RS is a Sony's CMOS image sensor that adopts a unique "back-illuminated and stacked structure. A large 14.2-megapixel (effective) 1.0 type stacked CMOS image sensor with BIONZ X processing engine delivers beautiful background bokeh defocus effects and superior sensitivity at maximum 1.7lux* for capturing high-quality images with less noise, even under dark or bright conditions. * Low lux mode, 1/30SS

Exmor RS
CMOS Sensor



Enhanced Fast Hybrid AF with touch operation captures action

Enhanced Fast Hybrid auto focus (AF) comprises a number of features: phase-detection AF, face detection and lock-on auto focus technology to estimate subject movement. They all work together seamlessly to capture fast-moving subjects with amazing sharpness.



Wide-angle zoom lens with great control

The HXR-MC88 is supplied with a fixed 29mm wide-angle ZEISS Vario-Sonnar T* lens, ideal for capturing panoramic landscapes. The 12x optical zoom can be increased to 24x with Clear Image Zoom. In addition, the Digital Extender can double this range again, up to 48x zoom.



Superb quality monitoring with enhanced OLED viewfinder

You have superb monitoring options with the MC88: an enhanced 0.39-type 2359K dot OLED viewfinder and 3.5-type 1550K dot LCD. The super high resolution OLED viewfinder offers excellent quality brightness, contrast and response, giving you better precision of manual focus operations and eliminating any colour-breaking phenomenon. The LCD gives you further flexible composition options.



AVCHD support

The HXR-MC88 supports well established AVCHD format recording, delivering exceptional flexibility for all today's Full HD workflows and easy to integrate your content into existing ones.

ND filters

A built-in Neutral Density (ND) filter wheel includes positions for clear, 1/4 (2 stops), 1/16 (4 stops), and 1/64 (6 stops). This makes it easier to get all the advantages of shallow depth of field even in exterior day shoots, with no need to worry about bringing along and fitting a separate filter.

Dual XLR inputs

Two XLR inputs reject electromagnetic interference for un hindered audio. Switchable phantom power supports mics that need it, while true input level controls put you in charge of sound.



Dual media slots

To extend recording time and workflow flexibility, the HXR-MC88 is equipped with two memory card slots and is compatible with SDXC and SDHC cards. Relay mode automatically switches recording from the first to the second memory card when the first is full; Simul mode allows simultaneous recording to two memory cards (for example to create an immediate back-up version).



Multi-Interface (MI) Shoe

The HXR-MC88 takes advantage of Sony's flexible Multi-Interface (MI) Shoe, which provides power, signal connections and coordinated on/off switching to compatible various Sony accessories. For example, you can connect and control Sony UWP-D wireless microphone systems (sold separately).



Remote operation

The HXR-MC88 has a featured remote interface (2.5 mm stereo mini-mini jack) wired interface. Using a wired remote controller such as the RM-1BP or RM-30BP the focus, zoom, rec start/stop and rec review can be controlled remotely.



Exmor RS
CMOS Sensor

BIONZ X

AVCHD
Progressive

Simple live solution

The HXR-MC88 is designed to work seamlessly with Sony's MCX-500 Multi Camera Live Producer, a robust and cost-effective switcher that makes it easy for one person to run a multi-camera live event shoot. When used with the MCX-500 and Remote Commander RM-30BP, a Tally indicator will automatically appear on each HXR-MC88's LCD panel and viewfinder - a red icon indicates when the shot is live (PGM) while Green indicates preview mode (PVW).

The MCX-500 supports up to 9 video inputs, 5 channel stereo inputs including XLR with both internal recording and live streaming via Facebook Live, and Youtube Live*

* Facebook live and YouTube live available with V2.0 firmware



Specifications

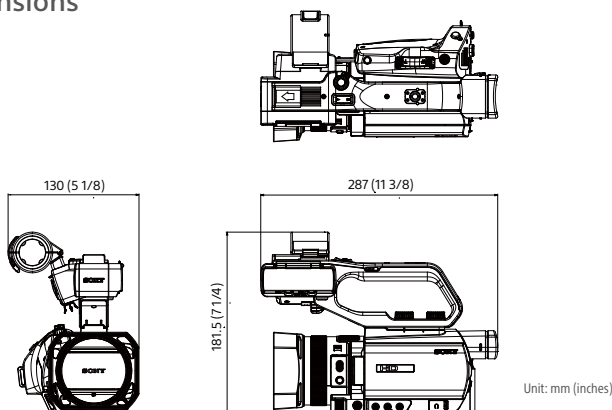
General	
Mass	Approx. 935 g (Approx. 2 lb 1.0 oz) (with lens hood) Approx. 1260 g (Approx. 2 lb 12.4 oz) (with lens hood, handle, NP-FV50A battery)
Dimensions (W x H x D)	121.0 mm x 104.0 mm x 223.5 mm (4 7/8 x 4 1/8 x 9 1/8 inches) (With the accessories (lens hood), excluding the grip belt and including the projecting parts) 130.0 x 181.5 x 236.5 mm (5 1/8 x 7 1/4 x 9 3/8 inches) (With the accessories (lens hood, XLR handle unit), excluding the grip belt and including the projecting parts)
Power Requirements	DC In: 8.4 V Battery: 7.4 V
Power Consumption	Approx. 4.9W (while recording with viewfinder and AVCHD 1080/60i FX) Approx. 5.3W (while recording with LCD and AVCHD 1080/60i FX)
Operating Temperature	0°C to 40°C (32°F to 104°F)
Storage Temperature	-20°C to +60°C (-4°F to +140°F)
Battery Operating Time	Approx. 80 min. with NP-FV50A battery (while recording with LCD, AVCHD 1080/60i FX) Approx. 135 min. with NP-FV50A battery (while playing with LCD, AVCHD 1080/60i FX)
Recording Format (Video)	AVCHD: MPEG-4 AVC/H.264 AVCHD 2.0 format compatible
Recording Format (Audio)	AVCHD: Linear PCM 2ch, 16 bit, 48 kHz / Dolby Digital 2ch, 16 bit, 48 kHz AVCHD (1920 x 1080) @59.94p, 50p, PS mode (28 Mbps) AVCHD (1920 x 1080) @59.94i/50i FX mode (24 Mbps) FH mode (17 Mbps) AVCHD (1920 x 1080) @29.97p/25p/23.98p, FX mode (24 Mbps) AVCHD (1440 x 1080) @59.94i, 50i LP mode (5 Mbps) AVCHD (1280 x 720) @59.94p, 50p, HQ mode (9 Mbps) AVCHD @LPCM 2ch PS Mode Approx. 305 min with 64 GB memory card AVCHD @LPCM 2ch FX Mode Approx. 360 min with 64 GB memory card AVCHD @LPCM 2ch FH Mode Approx. 495 min with 64 GB memory card AVCHD @LPCM 2ch HQ Mode Approx. 880 min with 64 GB memory card AVCHD @LPCM 2ch LP Mode Approx. 1540 min with 64 GB memory card
Lens	
Lens Mount	Fixed
Zoom Ratio	12x (optical), servo
Focal Length	f=9.3 - 111.6 mm equivalent to f=29.0 - 348.0 mm on 35 mm lens (16:9) equivalent to f=32.8 - 393.6 mm on 35 mm lens (3:2)
Iris	F2.8 - F4.5 auto/manual selectable
Focus	AF/MF selectable, 10 mm to ∞ (Wide), 1000 mm to ∞ (Tele)
Image Stabilizer	ON/OFF selectable, shift lens
Filter Diameter	M62 mm

Camera Section	
Imaging Device (Type)	1.0-type (13.2 mm x 8.8 mm) back-illuminated Exmor RS CMOS sensor
Effective Picture Elements	Approx. 14.2M pixels (16:9) / Approx. 12.0M pixels (3:2)
Built-in Optical Filters	OFF: Clear, 1: 1/4ND, 2: 1/16ND, 3: 1/64ND
Minimum Illumination	Standard [60i] 3lux (1/60 Shutter Speed, gain 33dB) Standard [50i] 3lux (1/50 Shutter Speed, gain 33dB) LowLux [60i] 1.7lux (1/30 Shutter Speed, gain 33dB) LowLux [50i] 1.7lux (1/25 Shutter Speed, gain 33dB)
Shutter Speed	[60i]: 1/8 - 1/10,000 (1/6 - 1/10,000 when shooting with 24p) [50i]: 1/6 - 1/10,000
White Balance	Presets (Indoor: 3200K, Outdoor: 5600K ± 7 steps, Color temperature set range: 2300-15000K) One push A, B, Auto selectable
Gain	-3, 0, 3, 6, 9, 12, 15, 18, 21, 24, 27, 30, 33 dB, AGC
Gamma Curve	Selectable
Input/Output	
Audio Input	XLR-type 3-pin (female) (x2), line/mic/mic +48 V selectable
Video Output	Integrated into Multi/Micro USB jack (x1), Composite 1.0Vp-p, 75Ω
Audio Output	Integrated into Multi/Micro USB jack
USB	Multi/Micro USB jack (x1)
Headphone Output	Stereo mini jack (x1)
Speaker Output	Monaural
DC Input	DC jack
Remote	Integrated into Multi/Micro USB jack, Stereo mini-mini jack (Ø2.5 mm)
HDMI Output	Type A (x1)
Monitoring	
Viewfinder	1.0 cm (0.39 type) OLED Approx. 2.36M dots
LCD	8.8 cm (3.5 type) Approx. 1.56M dots
Built-in Microphone	
Built-in Microphone	Omni-directional stereo electret condenser microphone
Media	
Type	Memory Stick Pro Duo™ and SD/SDHC/SDXC compatible x1 SD/SDHC/SDXC x1
Supplied Accessories	
XLR handle unit (1), Lens hood (1), Lens cap (1), Rechargeable battery pack (NP-FV50A) (1), AC Adaptor (AC-L200D) (1), Power cord (mains lead) (1), Warranty (1), Operating Guide (1), CD-ROM *Manuals for Solid-State Memory Camcorder* (1), Before using the unit (1)	

Available Accessories

 <p>NP-FV70A (7.3 V / 13.8 Wh / 1900 mAh) NP-FV100A (7.4 V / 25.9 Wh / 3410 mAh) Rechargeable Battery Pack</p>	 <p>AC-VQ10 (AC 100 V - 240 V) AC Adaptor/Charger</p>	 <p>UWP-D11/UWP-D12 Wireless Microphone Package</p>	 <p>SMAD-P3 MI Shoe Mount Adaptor * required for cable-free operation with UWP-D11/UWP-D12</p>	 <p>URX-P03D UWP-D two-channel portable receiver</p>	 <p>SMAD-P3D MI Shoe Mount Adaptor * required for cable-free operation with URX-P03D</p>	 <p>ECM-VG1 Electret Condenser Microphone</p>
 <p>SF-128UX2 SDXC/SDHC UHS-I Memory Card</p>	 <p>RM-1BP LANC Remote Commander</p>	 <p>RM-VP1 Remote Commander</p>	 <p>VMC-15MR2 AV cable with multi-terminal</p>	 <p>MCX-500 Multicamera Live Producer</p>	 <p>RM-30BP Remote Commander</p>	 <p>ECM-W1M MI Shoe Wireless Microphone * 5.1ch MIX mode is not available</p>

Dimensions



©2019 Sony Corporation. All rights reserved.
 Reproduction in whole or in part without written permission is prohibited.
 Features, design, and specifications are subject to change without notice.
 The values for mass and dimension are approximate.
 Some images in this brochure are simulated.
 "SONY" is a registered trademark of Sony Corporation.
 "Memory Stick" and "Exmor" are trademarks of Sony Corporation.
 All other trademarks are the property of their respective owners.
 Please visit Sony's professional website or contact your Sony representative for specific models available in your region.

Distributed by