

WIRELESS GO™

COMPACT WIRELESS MICROPHONE SYSTEM (GEN 3)

The Wireless GO is a powerful compact wireless microphone system ideal for a wide range of content creation applications. It offers a plethora of features for capturing pristine audio in any situation, including intelligent GainAssist technology and 32-bit float on-board recording with 32 GB of internal memory. RØDE's state-of-the-art Series IV 2.4GHz digital transmission delivers best-in-class range, with broadcast-grade in-built microphones for crystal-clear audio capture. It is universally compatible with cameras, phones and computers, and for even more flexibility features locking lavalier connectors, dedicated buttons for triggering recording, auto-power on/off, and a TRRS jack on the receiver for headphone monitoring or audio input.

- Dual-channel compact wireless microphone system
- RØDE's state-of-the-art Series IV 2.4 GHz digital transmission with 128-bit encryption for crystal-clear, incredibly stable audio with best-in-class range
- Universal compatibility with cameras, smartphones and computers
- 32-bit float on-board recording allows for the recovery of clipped or quiet audio files
- Intelligent GainAssist technology, flexible output gain control and safety channel for ensuring pristine audio when recording direct to camera
- 32GB of storage on each transmitter for over 40 hours of backup recordings
- Locking 3.5mm TRS connectors for complete security
- Headphone monitoring with on-board level control
- Plug-in power detect for extended battery life
- Easy configuration on a computer or smartphone via RØDE Central
- Designed and made in RØDE's precision facilities in Sydney, Australia



32-BIT FLOAT RECORDING



GREAT AUDIO EVERY TIME



WORKS WITH CAMERAS & SMARTPHONES



WORKS WITH RØDE SERIES IV WIRELESS RECEIVERS



ACOUSTIC AND ELECTRICAL SPECIFICATIONS

Acoustic Principle:	Pre-polarised pressure transducer
Polar Pattern:	Omnidirectional
Frequency Range:	20 Hz – 20 kHz
Maximum SPL:	123.5 dB SPL
Equivalent Noise (A-Weighted):	22 dBA
Signal-to-noise Ratio:	72 dB
Analog Inputs:	3.5mm locking TRS (TX)
Analog Outputs:	3.5mm TRRS (RX)
Transmission Range:	260m (line of sight)
Digital Connectivity:	USB-C
Operating System Requirements:	macOS 11 and above Windows 10 and above iOS 14 and above Android 11 and above
Power Requirements:	In-built rechargeable lithium-ion battery, charged via USB-C (5V, 0.4A)
Operating Time:	Up to 7 hours

RØDE

MECHANICAL SPECIFICATIONS

Weight (grams):	TX: 35
	RX: 36
Dimensions (millimetres):	TX: 46.5 (W) x 44 (L) x 20 (H)
	RX: 46.5 (W) x 44 (L) x 20 (H)

WHAT'S IN THE BOX



1 x Receiver (RX)



2 x Transmitters (TX)



1 x SC2 TRS to TRS Cable



1 x SC21 USB-C to Lightning Cable



1 x SC22 USB-C to USB-C Cable



1 x SC33 Charging Hub



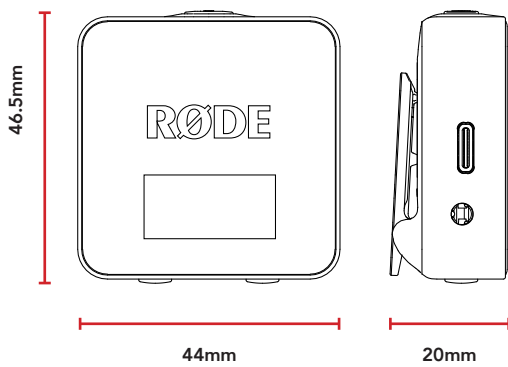
1 x Carry Pouch



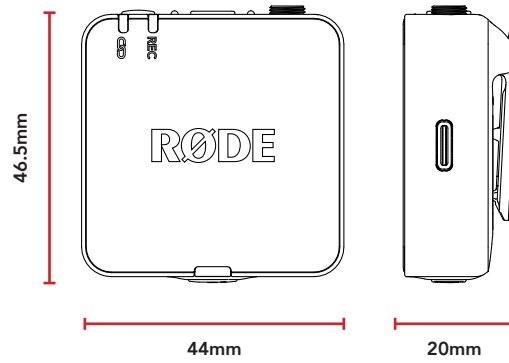
3 x Furry Windshield

DIMENSIONS

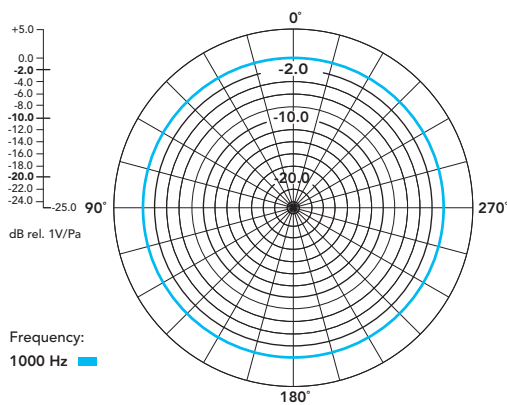
Receiver (RX)



Transmitter (TX)



POLAR PATTERN



FREQUENCY RESPONSE

